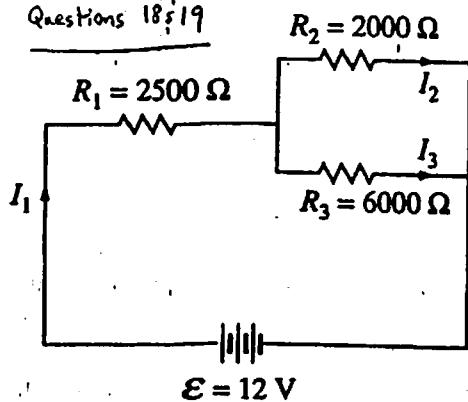


Electricity (4)

Questions 18-19

18.



What is the current I_1 ?

- (A) 0.8 mA
- (B) 1.0 mA
- (C) 2.0 mA
- (D) 3.0 mA
- (E) 6.0 mA

How do the currents I_1 , I_2 , and I_3 compare?

19.

- (A) $I_1 > I_2 > I_3$
- (B) $I_1 > I_3 > I_2$
- (C) $I_2 > I_1 > I_3$
- (D) $I_3 > I_1 > I_2$
- (E) $I_3 > I_2 > I_1$

The product

23.

$$2 \text{ amperes} \times 2 \text{ volts} \times 2 \text{ seconds}$$

is equal to

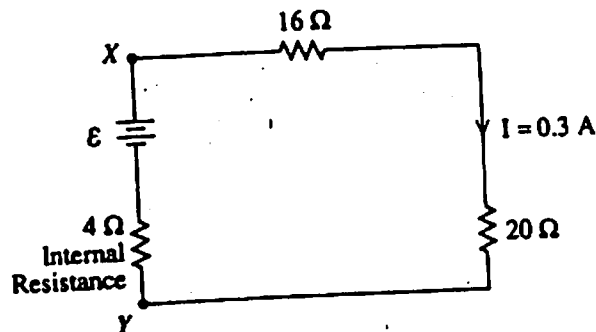
- (A) 8 coulombs
- (B) 8 newtons
- (C) 8 joules
- (D) 8 calories
- (E) 8 newton-amperes

24.

A certain coffeepot draws 4.0 A of current when it is operated on 120 V household lines. If electrical energy costs 10 cents per kilowatt-hour, how much does it cost to operate the coffeepot for 2 hours?

- (A) 2.4 cents
- (B) 4.8 cents
- (C) 8.0 cents
- (D) 9.6 cents
- (E) 16 cents

Questions 20-22 relate to the following circuit diagram, which shows a battery with an internal resistance of 4.0 ohms connected to a 16-ohm and a 20-ohm resistor in series. The current in the 20-ohm resistor is 0.3 amperes.



20. What is the emf of the battery?

- (A) 1.2 V
- (B) 6.0 V
- (C) 10.8 V
- (D) 12.0 V
- (E) 13.2 V

21. What is the potential difference across the terminals X and Y of the battery?

- (A) 1.2 V
- (B) 6.0 V
- (C) 10.8 V
- (D) 12.0 V
- (E) 13.2 V

22. What power is dissipated by the 4-ohm internal resistance of the battery?

- (A) 0.36 W
- (B) 1.2 W
- (C) 3.2 W
- (D) 3.6 W
- (E) 4.8 W

25.

Which of the following will cause the electrical resistance of certain materials known as superconductors to suddenly decrease to essentially zero?

- (A) Increasing the voltage applied to the material beyond a certain threshold voltage
- (B) Increasing the pressure applied to the material beyond a certain threshold pressure
- (C) Cooling the material below a certain threshold temperature
- (D) Stretching the material to a wire of sufficiently small diameter
- (E) Placing the material in a sufficiently large magnetic field

12. The total capacitance of several capacitors in parallel is the sum of the individual capacitances for which of the following reasons?
- (A) The charge on each capacitor depends on its capacitance, but the potential difference across each is the same.
 - (B) The charge is the same on each capacitor, but the potential difference across each capacitor depends on its capacitance.
 - (C) Equivalent capacitance is always greater than the largest capacitance.
 - (D) Capacitors in a circuit always combine like resistors in series.
 - (E) The parallel combination increases the effective separation of the plates.

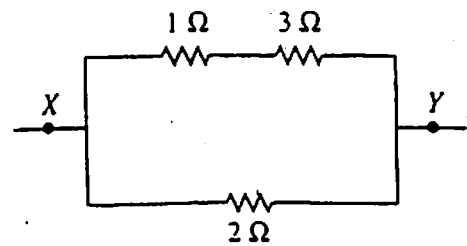
A wire of length L and radius r has a resistance R . What is the resistance of a second wire made from the same material that has a length $L/2$ and a radius $r/2$?

- 13.
- (A) $4R$
 - (B) $2R$
 - (C) R
 - (D) $R/2$
 - (E) $R/4$

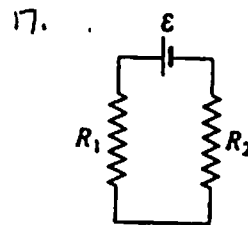
14. The operating efficiency of a 0.5 A, 120 V electric motor that lifts a 9 kg mass against gravity at an average velocity of 0.5 m/s is most nearly

- (A) 7%
- (B) 13%
- (C) 25%
- (D) 53%
- (E) 75%

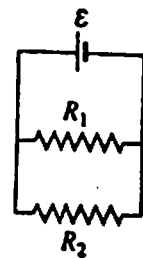
Questions 15-16 refer to the following diagram that shows part of a closed electrical circuit.



15. The electrical resistance of the part of the circuit shown between point X and point Y is
- (A) $1\frac{1}{3} \Omega$
 - (B) 2Ω
 - (C) $2\frac{3}{4} \Omega$
 - (D) 4Ω
 - (E) 6Ω
16. When there is a steady current in the circuit, the amount of charge passing a point per unit of time is
- (A) the same everywhere in the circuit
 - (B) greater at point X than at point Y
 - (C) greater in the 1Ω resistor than in the 2Ω resistor
 - (D) greater in the 1Ω resistor than in the 3Ω resistor
 - (E) greater in the 2Ω resistor than in the 3Ω resistor



Series Connection



Parallel Connection

In the diagrams above, resistors R_1 and R_2 are shown in two different connections to the same source of emf ϵ that has no internal resistance. How does the power dissipated by the resistors in these two cases compare?

- (A) It is greater for the series connection.
- (B) It is greater for the parallel connection.
- (C) It is the same for both connections.
- (D) It is different for each connection, but one must know the values of R_1 and R_2 to know which is greater.
- (E) It is different for each connection, but one must know the value of ϵ to know which is greater.